

# DHI-ASI3213A-W

## Face Recognition Access Controller



- 4.3 inch glass touch screen with a resolution of 480 × 272.
- 2-MP wide-angle dual-lens camera with IR illumination and DWDR.
- Multiple unlock methods including face and password. You can also combine them to create your own personal unlock methods.
- Supports mask detection.
- Supports visitor QR code with DSS Pro Platform.
- Recognizes faces 0.3 m to 1.5 m away (0.98 ft-4.92 ft).
- Supports 3,000 users, 3,000 faces, 3,000 passwords, 5,000 cards, 50 administrators, and 300,000 records.
- Liveness detection has a face recognition accuracy rate of 99.9% and the 1:N comparison time is 0.2 s per person.
- Supports making video calls and using the app to receive alarm notifications, remotely unlock doors and to perform other tasks.
- Supports customization of voice prompts.

### Technical Specification

#### System

Main Processor	Embedded Processor
Network Protocol	IPv4; RTSP; RTP; TCP; UDP; SIP; P2P
OSDP Protocol	Yes
Interoperability	ONVIF; CGI
SDK and API	Yes

#### Basic

Product Type	Standalone
Display Screen	4.3" LCD
Screen Type	Capacitive Touchscreen
Screen Resolution	480 (H) × 272(V)
Camera	2-MP CMOS HD dual-lens camera
WDR	DWDR
Light Compensation	Auto IR
Voice Prompt	Yes
Casing	PC + ABS

#### Function

Unlock Mode	Password, remote, card, face and combination unlock
Card Type	IC card
Period List	128 periods

Holiday Period	128 periods
Network Update	Yes
First User Unlock	Yes
Remote Verification	Yes
Restricted List/Trusted List	Yes
Wi-Fi	Yes
Peripheral Card Reader	1 × RS-485 card reader; 1 × Wiegand card reader
Multi-user Authentication	Yes
Real-time Monitoring	Yes
Web Configuration	Yes
Auto Registration	Yes

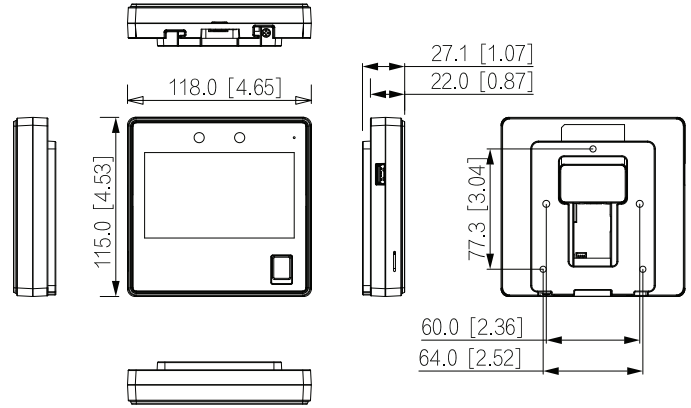
#### Performance

Card Reading Distance	0 cm–3 cm (0"–1.18")
Face Recognition Height Range	1.1 m– 2.0 m (3.61 ft–6.56 ft)
Face Recognition Distance	0.3 m–1.5 m (0.98 ft–4.92 ft)
Face Recognition Accuracy	99.9%
Face Recognition Time	0.2 s
Read Speed (QR Code )	500 ms
Code Type	Paper; Electronic

## User

User (Card) Type	Normal user; VIP users; patrol users; guest user; blocklist user; other user
Capacity	
User Capacity	3,000
Face Image Capacity	3,000
Card Capacity	5,000
Password Capacity	3,000
Record Capacity	300,000
Port	
RS-485	1
Wiegand	1
USB	1 × USB 2.0
Network Port	1 × RJ-45 10/100 Mbps self-adaptive Ethernet port
Exit Button	1
Lock Control	1
Door Status Detection	1
Alarm	
Anti-pass Back	Yes
Tamper Alarm	Yes
Duress Alarm	Yes
Door Sensor Timeout	Yes
Intrusion	Yes
Illegal Card Exceeding Threshold	Yes
General	
Power Adapter	Standard
Power Supply	12 VDC, 1.5 A
Power Consumption	≤18 W
Product Dimensions	115.0 mm × 118.0 mm × 27.1 mm (4.53" × 4.65" × 1.07") (H × W × W)
Packaging Dimensions	190 mm × 179 mm × 127 mm (7.48" × 4.65" × 5.00") (L × W × H, protection box)
Operating Temperature	-10 °C to +40 °C (+14 °F to +104 °F)
Operating Humidity	0%–90% (RH), non-condensing
Operating Environment	Indoor
Net Weight	250 g (0.55 lb)
Gross Weight	400 g (0.88 lb)
Accessory	Wall mount bracket (included)
Installation	Wall mount; 86 case mount; desk mount

## Dimensions (mm[inch])



## Application

