



Eyeball Network Camera

Application Quick Start Guide



Table of Contents

1 Operating with DMSS	1
2 Installation	3
2.1 Packing List	3
2.2 Dimensions.....	3
2.3 Installing the Camera	4
2.3.1 Installation Methods.....	4
2.3.2 (Optional) Installing the SD Card.....	4
2.3.3 Attaching the Camera	4
2.3.4 (Optional) Installing the Waterproof Connector.....	6
2.3.5 Adjusting the Lens Angle	6

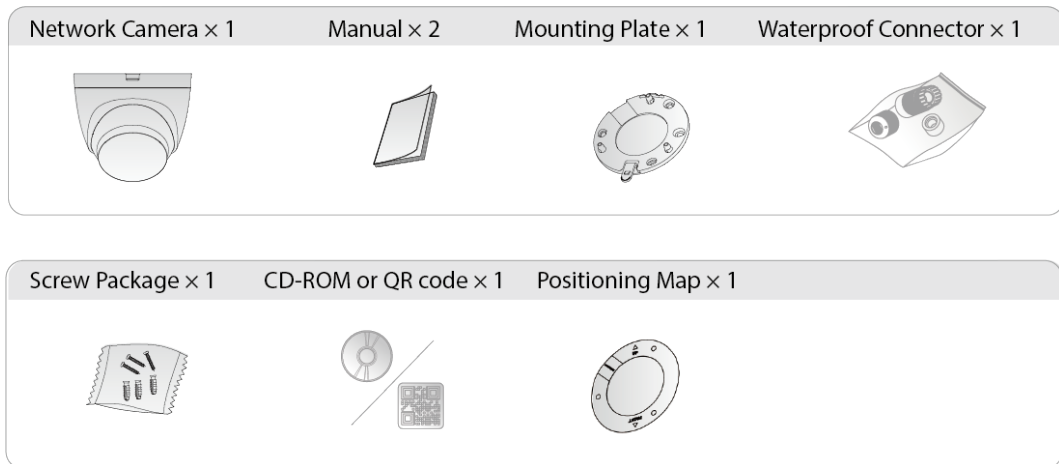
2 Installation

2.1 Packing List



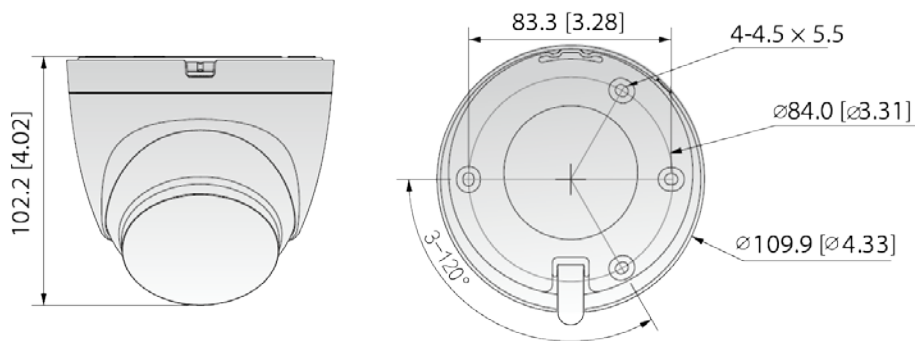
- Tools required for installation, such as the electric drill, are not included in the package.
- The operation manual and information on the tools are on the disk or the QR code.

Figure 2-1 Packing list



2.2 Dimensions

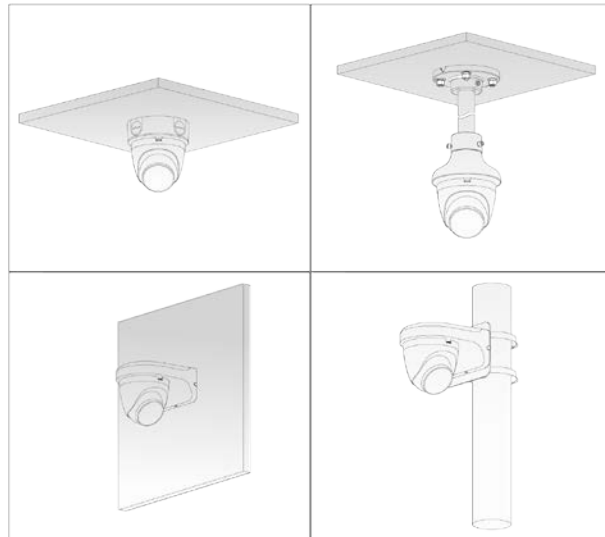
Figure 2-2 Dimensions (mm [inch])



2.3 Installing the Camera

2.3.1 Installation Methods

Figure 2-3 Installation methods



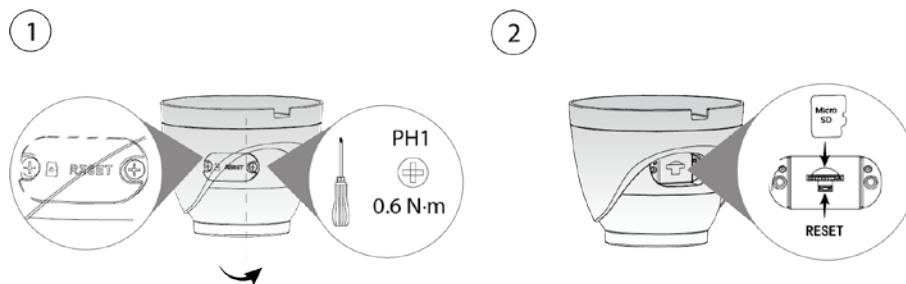
2.3.2 (Optional) Installing the SD Card

- SD card slot is available on select models.
- Disconnect the power before installing or removing the SD card.



Press the reset button for 10 seconds to reset the device.

Figure 2-4 Install the SD card

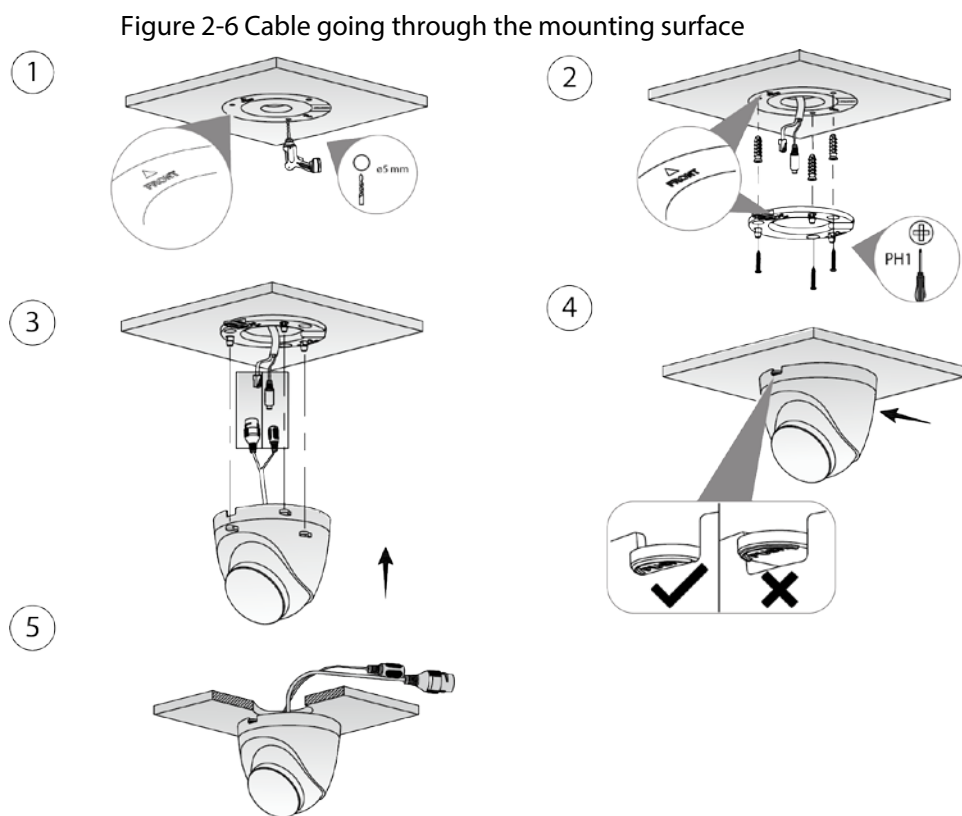


2.3.3 Attaching the Camera



Make sure that the mounting surface is strong enough to hold at least three times the weight of the camera and bracket.

Figure 2-5 Cable going through the side cable tray

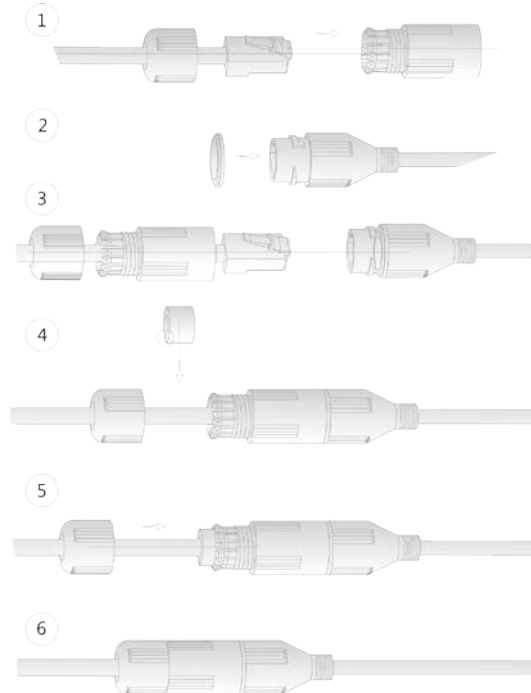


2.3.4 (Optional) Installing the Waterproof Connector



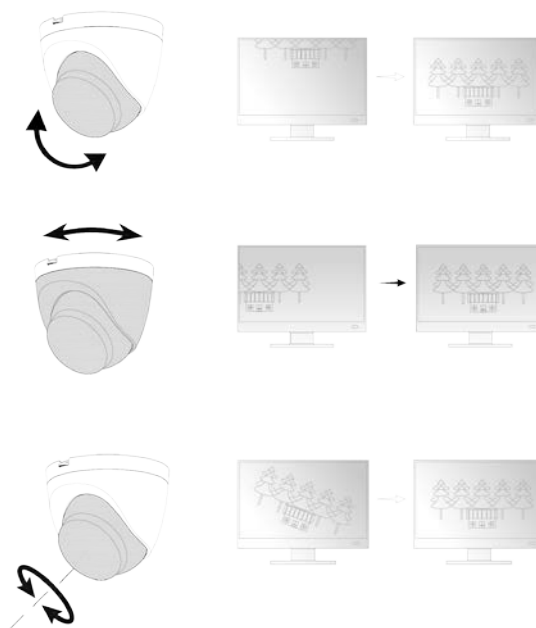
This part is needed only when a waterproof connector comes with the camera and the camera is used outdoors.

Figure 2-7 Install the waterproof connector



2.3.5 Adjusting the Lens Angle

Figure 2-8 Adjust the lens angle



ENABLING A SAFER SOCIETY AND SMARTER LIVING

ZHEJIANG DAHUA VISION TECHNOLOGY CO., LTD.

Address: No.1199 Bin'an Road, Binjiang District, Hangzhou, P. R. China | Website: www.dahuasecurity.com | Postcode: 310053

Email: overseas@dahuatech.com | Fax: +86-571-87688815 | Tel: +86-571-87688883